

CLTL

LED LIGHTING



SL760 SERIES

Streetlight Available in 150 Watt

Key Features

This two chip fixture with a type II distribution optimizes lighting and reduces light pollution in street lights and parking lot applications. Customizable voltages and chip colour allow our product to fit each of our customers needs.

Recommended Use

The SL760 Series will make road ways and parking situations the brightest they can possibly be. When used in remote locations, it does not give off as much light pollution as HID street lights, therefore, providing a safe and more hospitable environment for wildlife.

Advantages

- Production & quality control completed at Lumisave's local manufacturing facilities
- Every chip tested on site
- 80,000 Hours+ lifespan and produces 100 lumens per watt
- Rugged, weather-proof design
- 5 Year replacement warranty
- Up to 70% energy savings

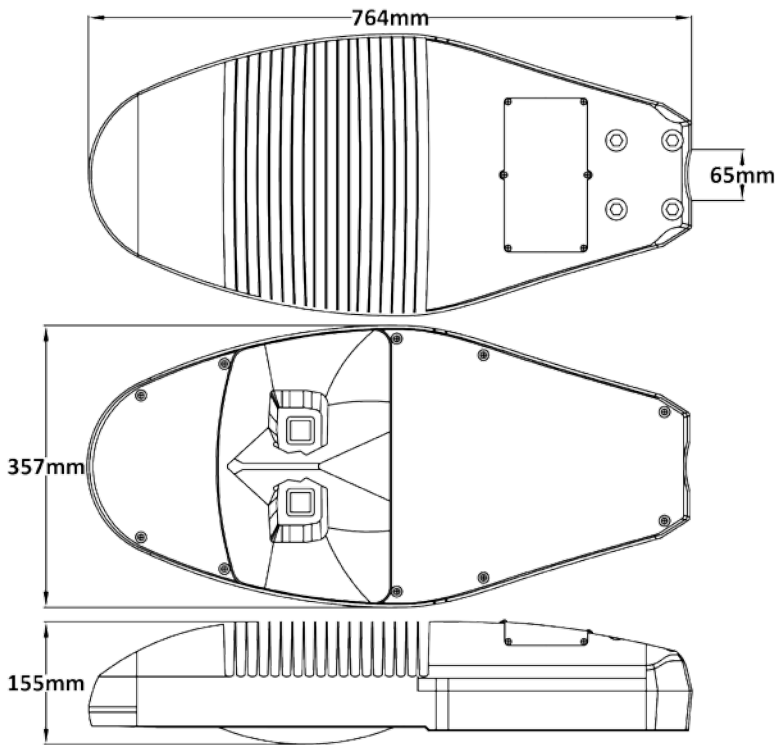


CLTL

LED LIGHTING

SL760 SERIES

DIMENSIONS - all measurements in millimetres



Specifications

Meanwell MULTI Voltage Driver	120-277 or 347-480V
Power Factor	≤ 95%
Bridglux Chip Life Expectancy	80,000 Hours (LM70)
LED Luminous Efficiency	100 (Lm/W)
Colour Temperature	Green / 5000K**
Distribution	Type II
Fixture	Aluminum Alloy Housing
Lens	Glass
Weight	13.6 kg
Work Humidity	10% to 95% RH
Work Temperature	-40°C to +40°C
Protection	IP65, Wet Location
Certifications	RoHS, CE, cETLus.
Approved	ETL LISTED
	Tested to CSA and UL Standards

**Lumisave can produce additional specifications. Available upon request

Sample Order Number: LS-SL760-80W-MV-CGR-PC-HO

LS-SL760					
SERIES	WATTAGE	VOLTAGE	COLOR TEMP	PHOTO CELL	HazLoc
LS-SL760	150W	MV HV	C50 CGR	PN PC PF PCF	HO
		120-277V 347-480V	5000K GREEN	NO PHOTO CELL PHOTO CELL IN LINE FUSING* Photocell and Inline Fusing	NON HAZARDOUS

